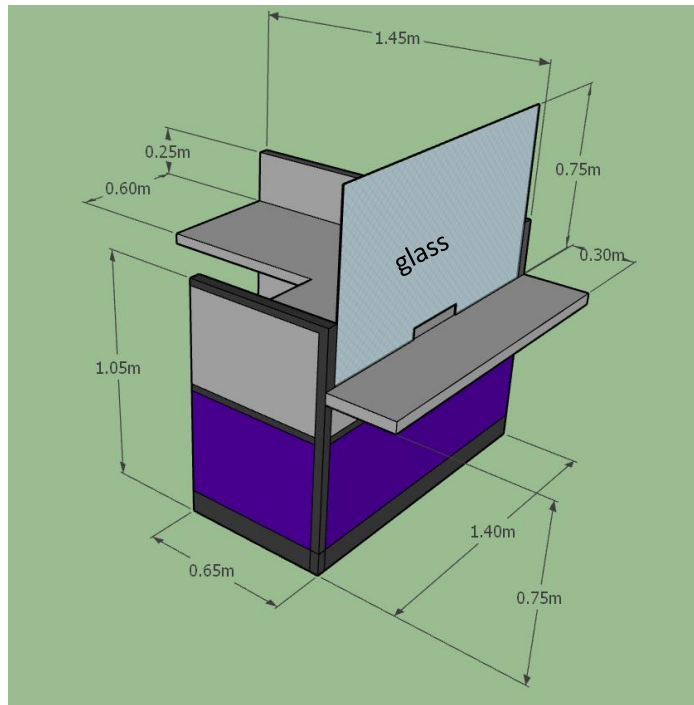
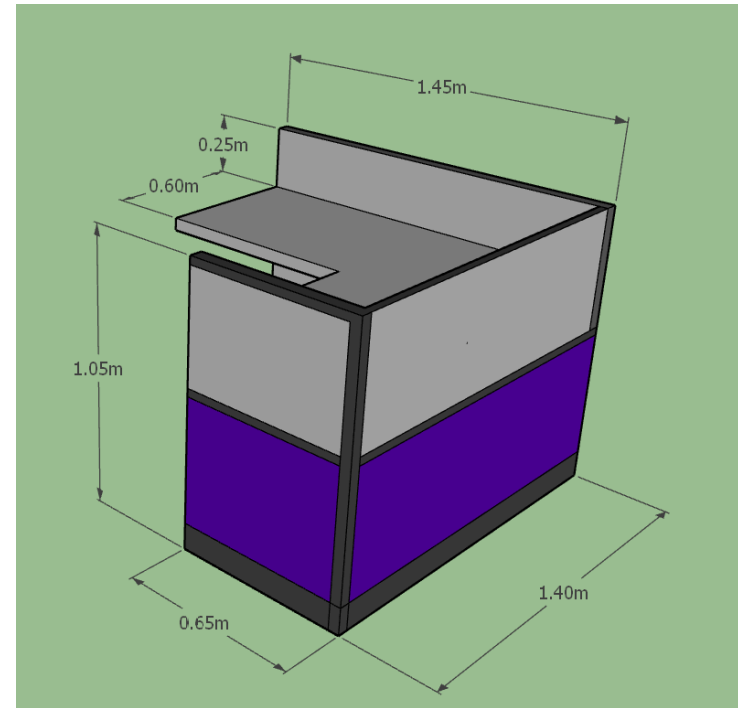


ANNEX A : DIMENSION OF MODULAR PARTITION



Type A
Four (4) Units



Type B
Seven (7) Units